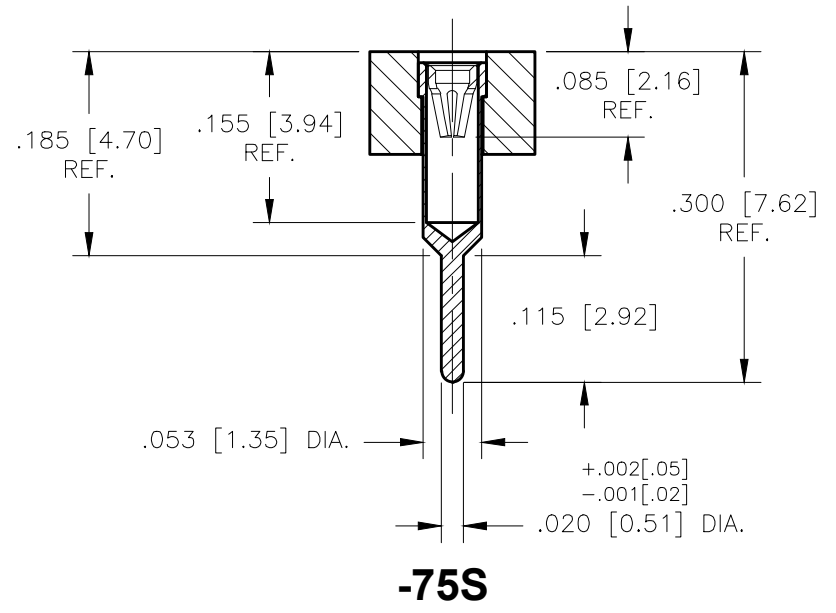
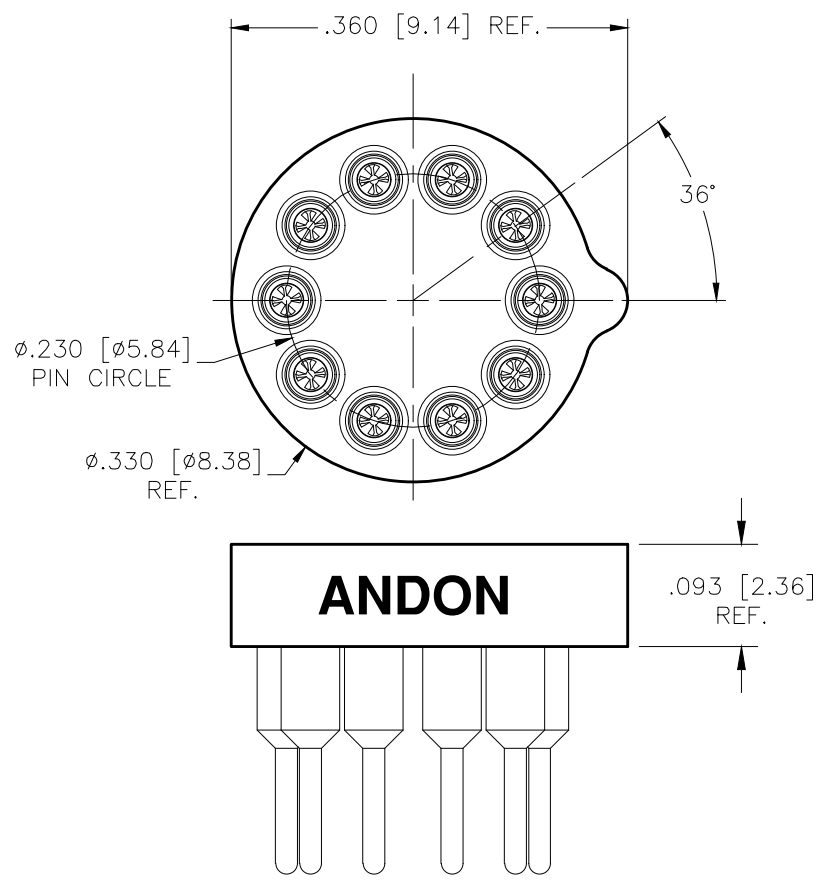


TOP VIEW



"ANDON PROPRIETARY INFORMATION"

THIS DRAWING CONTAINS INFORMATION PROPRIETARY TO ANDON ELECTRONICS CORPORATION. ANY REPRODUCTION, DISCLOSURE OR USE OF THIS DRAWING IS EXPRESSLY PROHIBITED AS ANDON ELECTRONICS MAY OTHERWISE AGREE IN WRITING.



TITLE: **.230 [5.84] PIN CIRCLE 10 PIN FP 03T ROUND SENSOR SOCKET w/TAB**

TOLERANCE EXCEPT AS NOTED	DRAWN BY: GB	SCALE:
ANGLE ± 2°	CHK'D BY: GB/TB	DATE: 12/12/22
FRACTION ±.010 .XX ±.010 .XXX ±.005	APP'D BY: TB	FILE:
	UNITS: INCHES [MILLIMETERS]	

DWG. NO. **R230-1010-03T-75S-R27-L14** REV. **0**

TECHNICAL INFORMATION

- INSULATOR:** BLACK FR-4 (EPOXY)
- TERMINAL:** BRASS, PER ASTM-B16
- CONTACT:** BeCu, PER ASTM-B194
- FORCES:** INSERTION: 9.0 oz. - 255 GRAMS AVG. WITH A .018" [0.46] DIA. PIN
WITHDRAWAL: 2.0 oz. - 56 GRAMS AVG. WITH A .018" [0.46] DIA. PIN
- PLATING:** CONTACT: GOLD 10μ INCHES MIN.
TERMINAL: GOLD 10μ INCHES MIN.
- TERMINAL ACCEPTS:** ø.016" [.40mm] - ø.022" [.56mm] PINS

RoHS COMPLIANT

REV.	DESCRIPTION	DATE	REV. BY	APP. BY